

[Siemens.com/mobility](https://www.siemens.com/mobility)

VT1 (SP) Vane Relay, Delay unit and Connections

A Vane relay, Delay unit and Connection Cable

General data

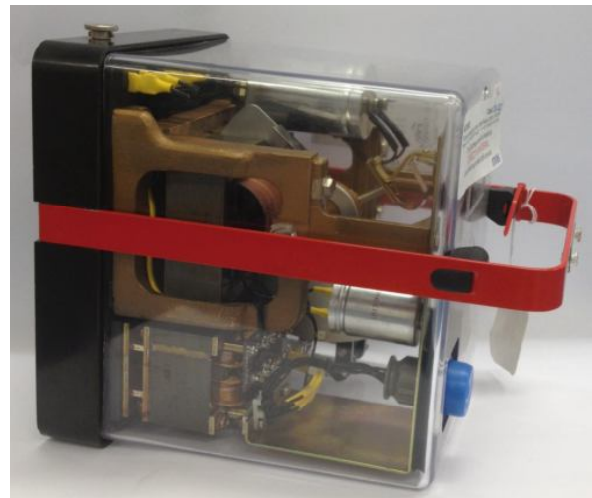
VT1 (SP)

VT1 (SP) vane relay used in conjunction with VT1 (SP) delay unit.

Information available on request from Siemens Rail Automation Holdings Ltd

Siemens Part Number: E21422/1

Pads Number: 88/030981



General data

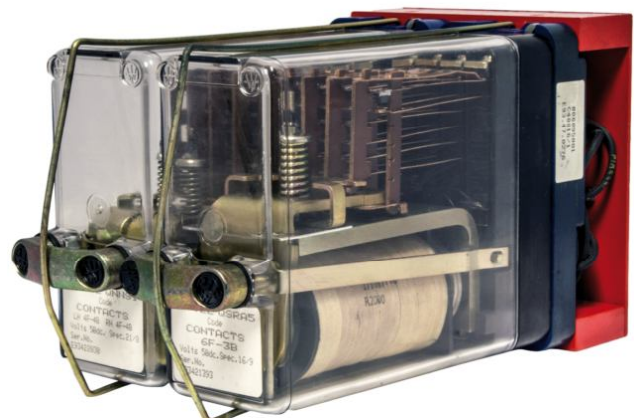
VT1 (SP) Delay unit

VT1 (SP) delay unit used in conjunction with VT1 (SP) vane relay.

Information available on request from Siemens Rail Automation Holdings Ltd

Siemens Part Number: E21419/1

Pads Number: 88/030982

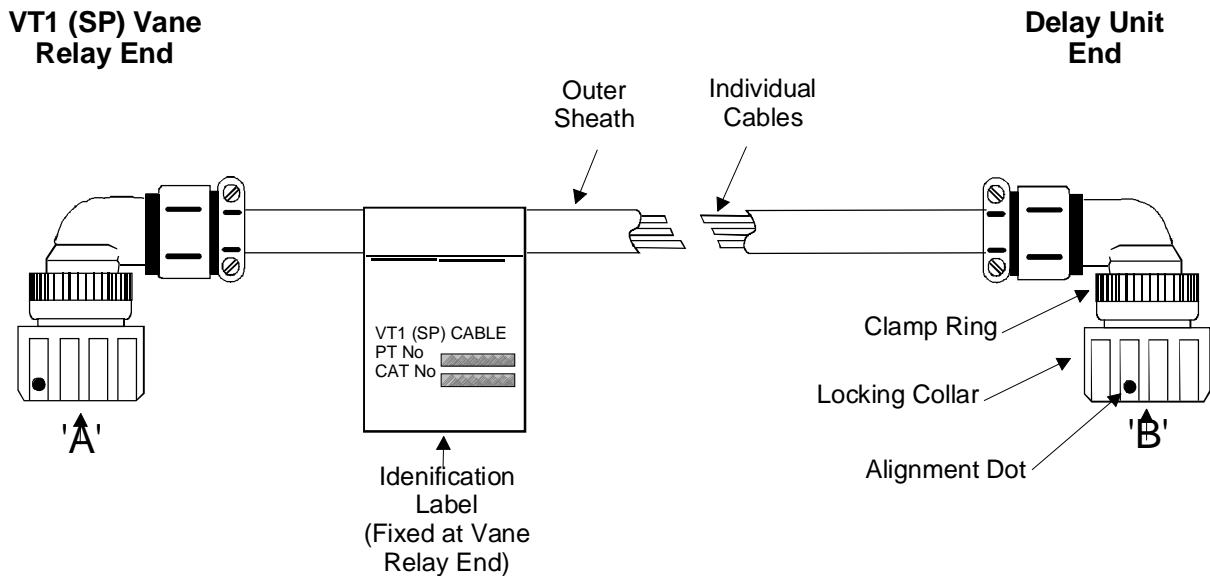


General data

Connection Cable

VT1 (SP) Connection Cable used in conjunction with VT1 (SP) vane relay and Delay unit

Information available on request from Siemens Rail Automation Holdings Ltd



Technical data

PADS No.	SIEMENS PART No.	LENGTH (metres)
88/030983	B48243/1	0.5
88/030984	B48243/2	1
88/030985	B48243/3	2
88/030986	B48243/4	5
88/030987	B48243/5	10