

Siemens.com/mobility

QR9 Relay

Special relay (see description)

General data

Approximate Weight: 0.63kg

Note: Refer to the following data sheets:

- 7-1-1 for general information and contact ratings.
- 7-2-1 for dimensions.
- 8.2 for tools.
- 8.3 for plugboard and connector details.

Refer overleaf for specific data.



Description

A relay unit consisting of a bank of 16 separate diodes. Each diode is wired to 2 connectors on the relay base. The diodes are used to block back-feeds in Westpac Mk II circuits.

B18530/10

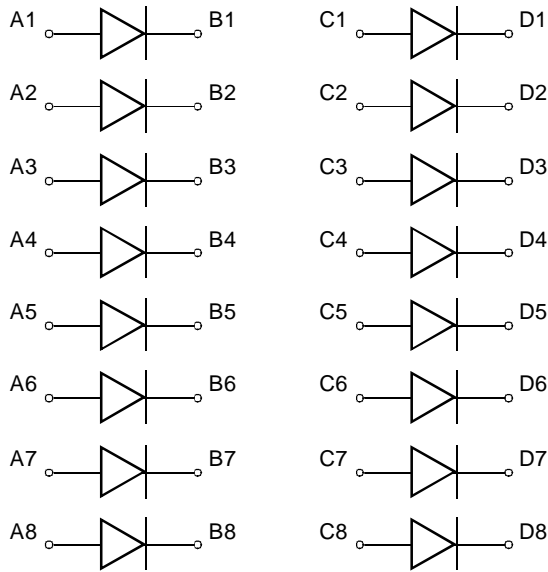
This version has the 16 diodes mounted on two terminal boards

B18530/47

This version is equivalent to the Siemens Australia Relay, Part Number M25192.

This version differs from B18530/10 in that it has alternative diodes wired directly across the base connections rather than mounted on a terminal board.

Connections



Packaging

Q-Relays are packed in a carton holding ten relays; the same container is used for quantities of four to nine relays. Quantities less than four are packed individually in cardboard boxes, as are all train-carried relays. Each container has a bar-coded label affixed to the outside, stating details of the packaged relay(s) and the quantity therein.

EMC Compliance

Q-Relays comply with the relevant emission requirements of EN 55014. It is considered that these relays have inherent immunity to in-service electromagnetic disturbance.

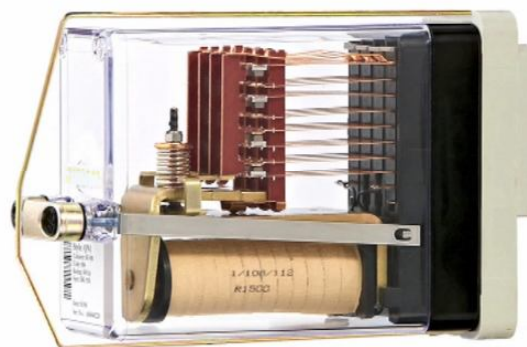
A Technical Certificate for EU Directive on EMC (89/336/EEC) has been obtained.

Technical data

| SIEMENS Part No. (PAD No.) | DIODE RATING | PIN CODE | PLUGBOARD | REQD No. OF CONNECTORS J4137/3 | REMARKS |
|----------------------------|----------------------------------|-------------|-----------|--------------------------------|---------|
| B18530/10 (88/047075) | 2 A, 1000 V (BYW56) | 6062 ABEGHJ | J4138/130 | 32 | |
| B18530/47 | 1 A, 1000 V (ZENER DIODE IN4007) | ABEGHJ | J4138/130 | 32 | M25192 |



Un-drilled plugboard
Part No. E7218/1



Representation of Relay,
Plugboard and Retaining clip
(Clip Part No. J4136/1)

Siemens Ltd
Infrastructure & Cities Sector
Mobility and Logistics Division
Rail Automation
PO Box 79
Pew Hill
Chippenham
Wiltshire SN15 1JD
UK
www.siemens.com/rail-automation

Printed in the United Kingdom

Data Sheet 7-2-86

X342/55/000105 Revision 05

SIEMENS

The information within this document contains general descriptions of the technical options available, which do not always have to be present in individual cases. The required features should therefore be specified in each individual case at the time of closing the contract.