



Siemens.com/mobility

QR2 Relay

Special relay (see description)

General data

Resistor Power Rating: 45 W
 Rectifier Type: Single phase bridge: 25 A 400V
 Approximate Weight: 0.51 kg

Note: Refer to the following data sheets:

- 7-1-1 for general information and contact ratings.
- 7-2-1 for dimensions.
- 8.2 for tools.
- 8.3 for plugboard and connector details.

Refer overleaf for specific data.



Description

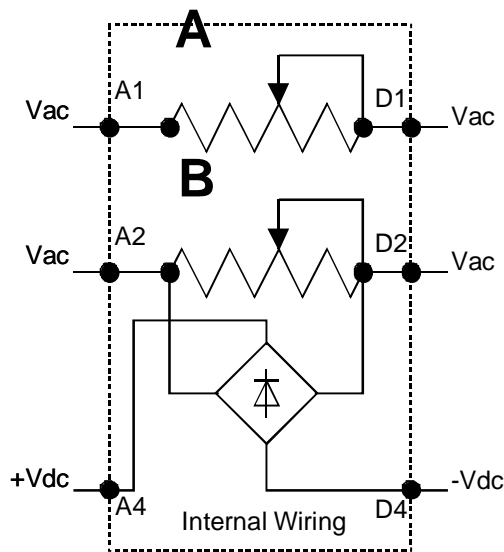
A relay unit providing a rectified supply to a sensitive relay for lamp proving applications.

In normal use, resistor 'A' and 'B' are (externally) connected in parallel but when lamp dimming is effected, only resistor 'B' is connected.

The ohmic values of resistor 'A' and 'B' should be chosen to suit the application and desired sensitivity.

The variations listed overleaf use equal resistance for 'A' and 'B' but unequal combinations can be supplied.

Internal Wiring



Packaging

Q-Relays are packed in a carton holding ten relays; the same container is used for quantities of four to nine relays. Quantities less than four are packed individually in cardboard boxes, as are all train-carried relays. Each container has a bar-coded label affixed to the outside, stating details of the packaged relay(s) and the quantity therein.

EMC Compliance

Q-Relays comply with the relevant emission requirements of EN 55014. It is considered that these relays have inherent immunity to in-service electro-magnetic disturbance. A Technical Certificate for EU Directive on EMC (89/336/EEC) has been obtained.

Technical data

SIEMENS Part No. (PAD No.)	RESISTOR VALUE A + B (Ohms)	PIN CODE	PLUGBOARD	REQD No. OF CONNECTORS J4137/3	REMARKS
B18529/4 (88/030857)	LESS RESISTORS	078 - ABDFK	J4138/111	6	----
B18529/4A	6 + 6	078 - ABDFK	J4138/111	6	----
B18529/4B	7.8 + 7.8	078 - ABDFK	J4138/111	6	----
B18529/4C	10 + 10	078 - ABDFK	J4138/111	6	----
B18529/4D	14 + 14	078 - ABDFK	J4138/111	6	----
B18529/4E	18 + 18	078 - ABDFK	J4138/111	6	----
B18529/4F	22 + 22	078 - ABDFK	J4138/111	6	----
B18529/4G	32 + 32	078 - ABDFK	J4138/111	6	----
B18529/4H	51 + 51	078 - ABDFK	J4138/111	6	----
B18529/4J	64 + 64	078 - ABDFK	J4138/111	6	----
B18529/4K	81 + 81	078 - ABDFK	J4138/111	6	----
B18529/4L	105 + 105	078 - ABDFK	J4138/111	6	----
B18529/4M	150 + 150	078 - ABDFK	J4138/111	6	----
B18529/4N	64 'A' position 105 'B' position	078 - ABDFK	J4138/111	6	----