

SIEMENS

Relay Solutions

BR 930 SERIES



Siemens.com/mobility

QR15 Relay

Special relay (see description)

General data

Contact Arrangement: 4 x 2 C/O and 4 x 3F
Nominal Rated Voltage: 50 V dc
Approximate Weight: 0.68 kg

Note: Refer to the following data sheets:

- 7-1-1 for general information and contact ratings.
- 7-2-1 for dimensions.
- 8.2 for tools.
- 8.3 for plugboard and connector details.

Refer overleaf for specific data.



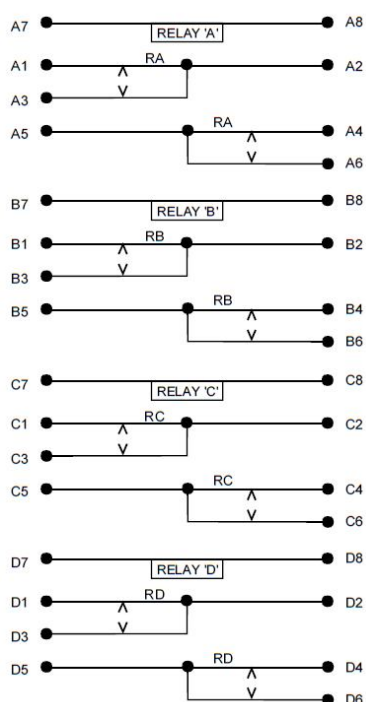
B18530/27 Variant

Description

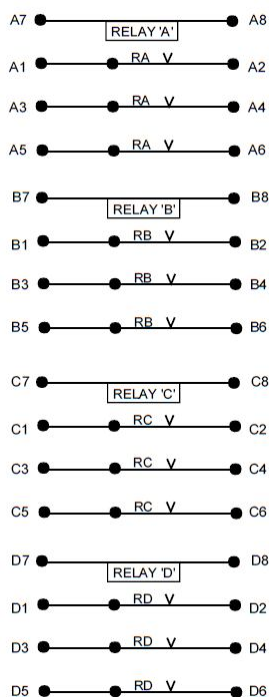
A relay unit consisting of four miniature continental-type relays fitted with silver Palladium to silver palladium contacts.

Contact positions

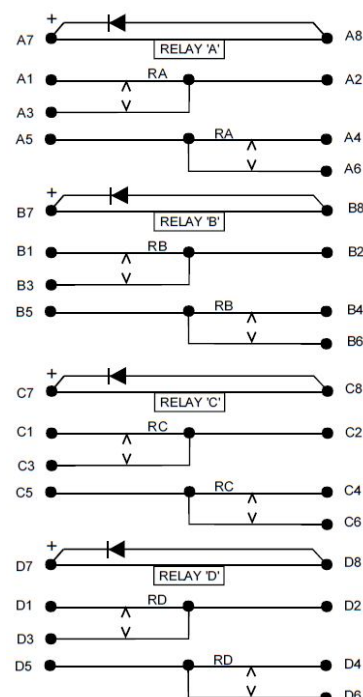
B18530/27



B18530/28



B18530/45



Technical data

SIEMENS PART No. (PAD No.)	CONTACT ARRANGEMENT	RATED VOLTAGE (V dc)	PIN CODE	COIL RES (OHMS)	WDG SPEC 1/108/-	MIN REL (V dc)	PLUGBOARD	REQD No. OF CONNECTORS J4137/3	REMARKS
B18530/27 (88/047265)	4 x 2 C/O	50	144 BCDGJ	2200	42	5	J4138/255	32	
B18530/28 (88/047266)	4 x 3F	50	145 BCDHJ	2500	40	2.5	J4138/256	32	
B18530/45	4 x 2 C/O	50	144 BCDGJ	2200	42	5	J4138/255	32	Non-Network Rail fitted with diodes across coils.

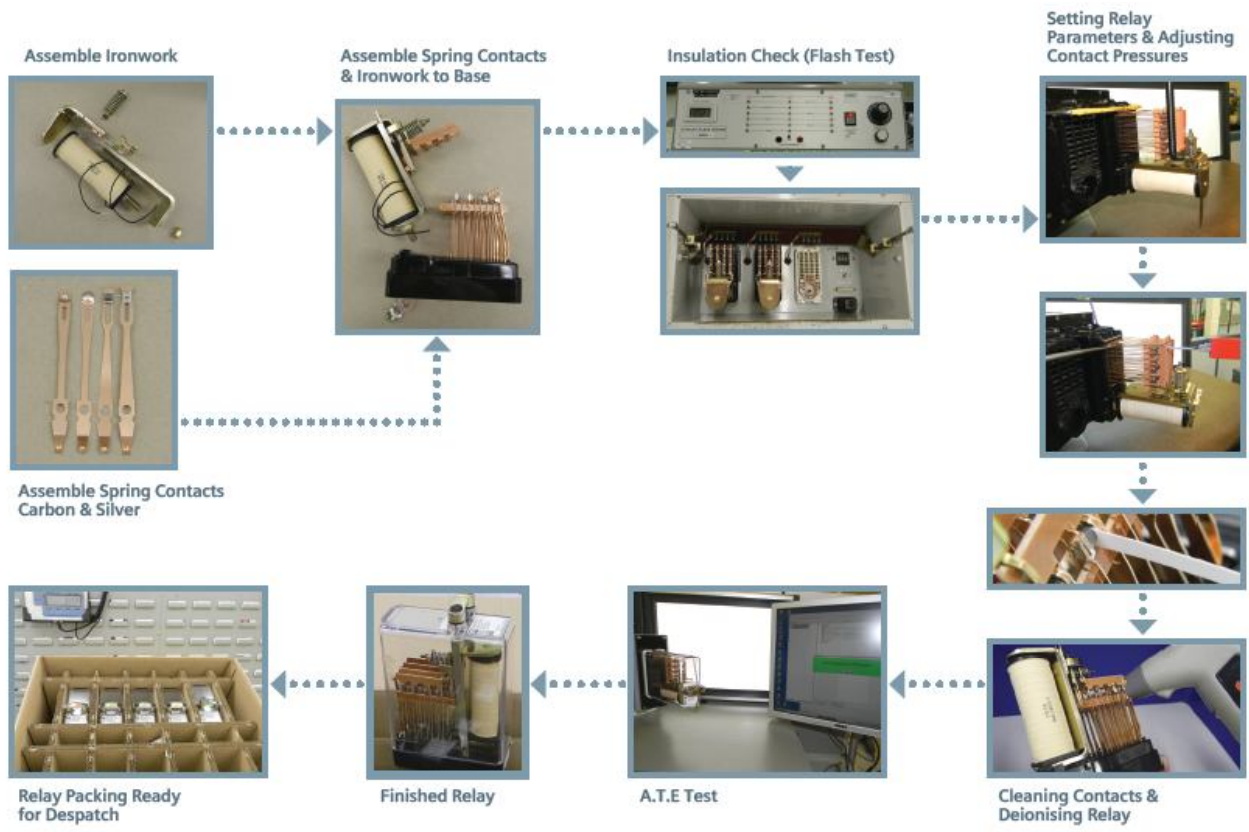
Packaging

Q-Relays are packed in a carton holding ten relays; the same container is used for quantities of four to nine relays. Quantities less than four are packed individually in cardboard boxes, as are all train-carried relays. Each container has a bar-coded label affixed to the outside, stating details of the packaged relay(s) and the quantity therein.

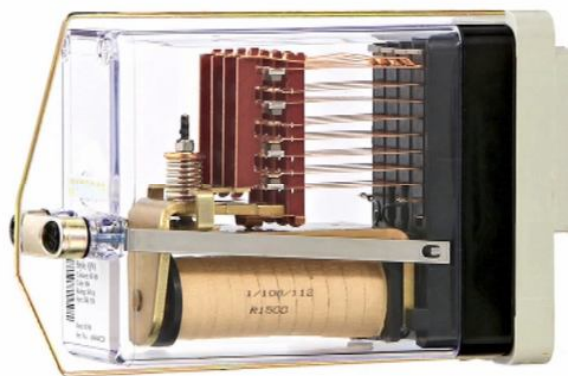
EMC Compliance

Q-Relays comply with the relevant emission requirements of EN 55014. It is considered that these relays have inherent immunity to in-service electromagnetic disturbance. A Technical Certificate for EU Directive on EMC (89/336/EEC) has been obtained.

Manufacturing Process



Un-drilled plugboard
Part No. E7218/1



Representation of Relay, Plug-board and Retaining clip
(Clip Part No. J4136/1)

Siemens Ltd
Infrastructure & Cities Sector
Mobility and Logistics Division
Rail Automation
PO Box 79
Pew Hill
Chippenham
Wiltshire SN15 1JD
UK
www.siemens.com/rail-automation

Printed in the United Kingdom
Data Sheet 7-2-75
X342/55/000094 Revision 04

SIEMENS

The information within this document contains general descriptions of the technical options available, which do not always have to be present in individual cases. The required features should therefore be specified in each individual case at the time of closing the contract.