



[Siemens.com/mobility](http://Siemens.com/mobility)

## QR10 Relay

Special relay (see description)

### General data

Approximate Weight: 0.96 kg

Note: Refer to the following data sheets:

- 7-1-1 for general information and contact ratings.
- 7-2-1 for dimensions.
- 8.2 for tools.
- 8.3 for plugboard and connector details.

Refer overleaf for specific data.



Typical Q Style Relay

### Description

A relay unit consisting of Post Office relays interconnected to perform a specific function. There are two types:

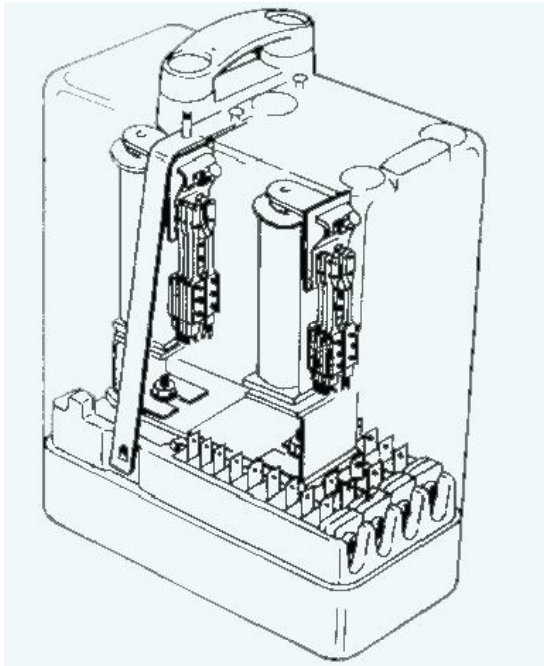
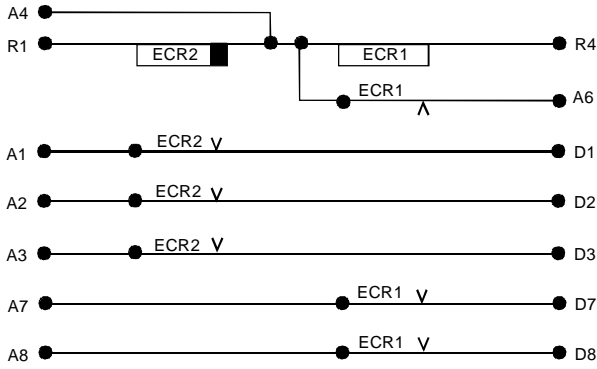
B18530/11 and 12, Lamp proving units

Each unit contains an ECR1 relay which releases on main filament failure, and an ECR2 relay which releases on auxiliary filament failure. ECR2 is slugged to cover the transit time of a Q neutral relay.

B18530/34

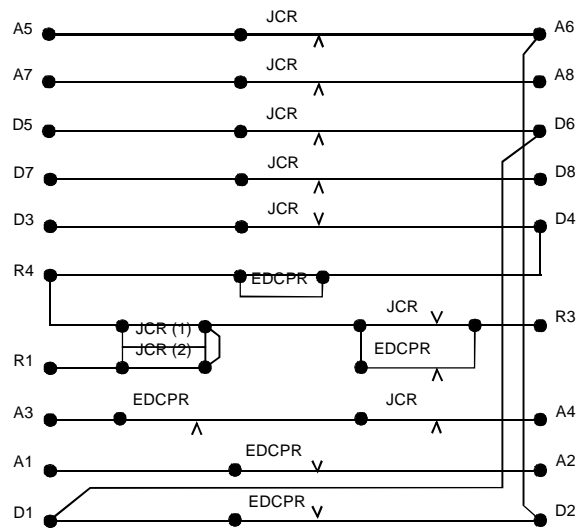
A special unit used in conjunction with QR5 unit B18530/35 to provide delayed operation of QED1 Earth Leakage Detector.

## Connections for B18530/11 & 12



Representation of QR10 Relay

## Connections for B18530/34



## Packaging

Q-Relays are packed in a carton holding ten relays; the same container is used for quantities of four to nine relays. Quantities less than four are packed individually in cardboard boxes, as are all train-carried relays. Each container has a bar-coded label affixed to the outside, stating details of the packaged relay(s) and the quantity therein.

## EMC Compliance

Q-Relays comply with the relevant emission requirements of EN 55014. It is considered that these relays have inherent immunity to in-service electro-magnetic disturbance.

A Technical Certificate for EU Directive on EMC (89/336/EEC) has been obtained.

## Technical data

SIEMENS Part No. (PAD No.)	CONTACT ARRANGEMENT	RATED AMPS OR VOLTS (ac)	PIN CODE	COIL RES (OHMS)	MAX FULL OP. (Amps.)	PLUGBOARD (SEE NOTE)	REQD No. OF CONNECTORS J4137/3	REMARKS
B18530/11 (88/047077)	ECR1 2F 1B ERC2 3F	1.3 A	6043 ABDEHJ	0.30 0.60	1.0 0.4	J4138/127	14	----
B18530/12 (88/047076)	ECR1 2F 1B ERC2 3F	1.0 A	6045 ABDEJK	0.35 0.60	0.8 0.4	J4138/128	14	----
B18530/34	----	50 V	XCDEF	----	----	J4138/297	19	Special - For use only with QR5 & QED1

Siemens Ltd  
Infrastructure & Cities Sector  
Mobility and Logistics Division  
Rail Automation  
PO Box 79  
Pew Hill  
Chippenham  
Wiltshire SN15 1JD  
UK  
[www.siemens.com/rail-automation](http://www.siemens.com/rail-automation)

Printed in the United Kingdom

Data Sheet 7-2-71

X342/55/000090 Revision 04

# SIEMENS

The information within this document contains general descriptions of the technical options available, which do not always have to be present in individual cases. The required features should therefore be specified in each individual case at the time of closing the contract.