



Siemens.com/mobility

## QNND1 Relay

A twin, double wound, dc neutral, tractive armature, relay unit

### General data

Contact Arrangement:	2 x 6F 1B, 2 x 4F 3B and 2 x 2F 1B
Nominal Rated Voltage:	25V and 50V dc
Approximate Weight:	1.2 kg

Note: Refer to the following data sheets:

- 7-1-1 for general information and contact ratings.
- 7-2-1 for dimensions.
- 8.2 for tools.
- 8.3 for plugboard and connector details.

Refer overleaf for specific data.



B18520/2 Variant

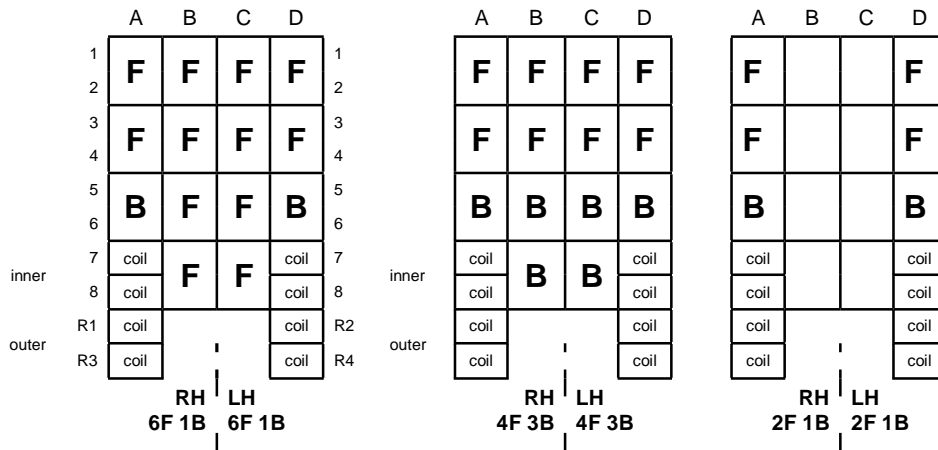
### Description

This unit comprises two double wound, electrically independent, relays mounted side-by-side on a single base.

Each relay can be operated by either of its two windings. Each of the twin relays is designed to operate a maximum of seven pairs of contacts.

The variations of this relay style are listed overleaf. Where a relay corresponds exactly to a type listed in a BR Spec., the Spec. No. is shown in the remarks column

## Contact layout viewed from rear

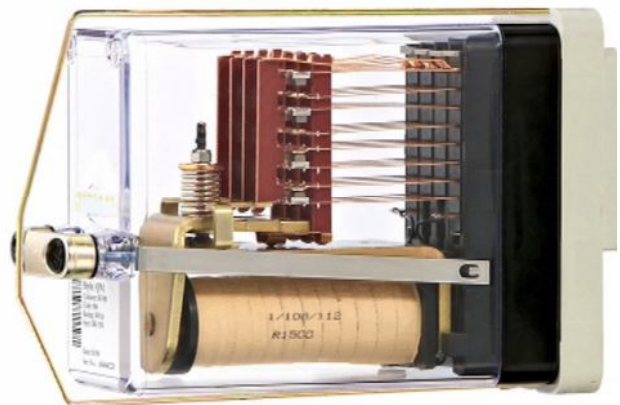


## Technical data

SIEMENS Part No. (PAD No.)	CONTACT ARRANGEMENT	RATED VOLTAGE (V dc)	PIN CODE	COIL RES (OHMS)	WDG SPEC 1/108/-	MAX FULL OP. (V dc)	MIN REL (V dc)	PLUGBOARD	REQD No. OF CONNECTORS J4137/3	REMARKS
B18520/1 (85/001700)	6F 1B LH & RH	24	055 ACEFJ	230 230	56	19.2	3.6	J4138/164	36	BRB SPEC. 960
B18520/2 (85/001710)	4F 3B LH & RH	24	054 ACDHJ	230 230	56	19.2	3.6	J4138/166	36	BRB SPEC. 960
B18520/3 (85/001720)	2F 1B LH & RH	24	054 ACDHJ	230 230	56	19.2	3.6	J4138/217	20	BRB SPEC. 960
B18520/4 (85/001740)	6F 1B LH & RH	50	056 ACEGJ	1000 1000	57	40	7.5	J4138/167	36	BRB SPEC. 960
B18520/5 (85/001750)	4F 3B LH & RH	50	060 ACGHJ	1000 1000	57	40	7.5	J4138/169	36	BRB SPEC. 960
B18520/6 (85/001760)	2F 1B LH & RH	50	060 ACGHJ	1000 1000	57	40	7.5	J4138/168	20	BRB SPEC. 960



Un-drilled plugboard  
Part No. E7218/1



Representation of Relay,  
Plugboard and Retaining clip  
(Clip Part No. J4136/1)