



Siemens.com/mobility

QJN1 Relay

A dc neutral, tractive armature, slow release relay

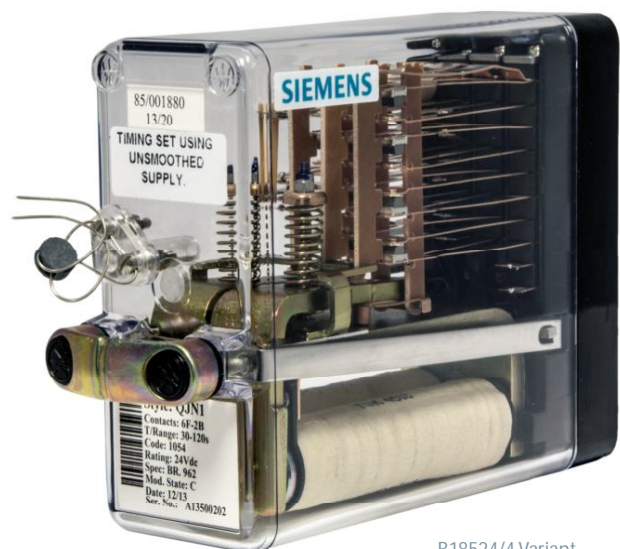
General data

Contact Arrangement:	4F 4B, 6F 2B
Nominal Rated Voltage:	12V, 24V and 50V dc
Approximate Weight:	1.4 kg

Note: Refer to the following data sheets:

- 7-1-1 for general information and contact ratings.
- 7-2-1 for dimensions.
- 8.2 for tools.
- 8.3 for plugboard and connector details.

Refer overleaf for specific data.



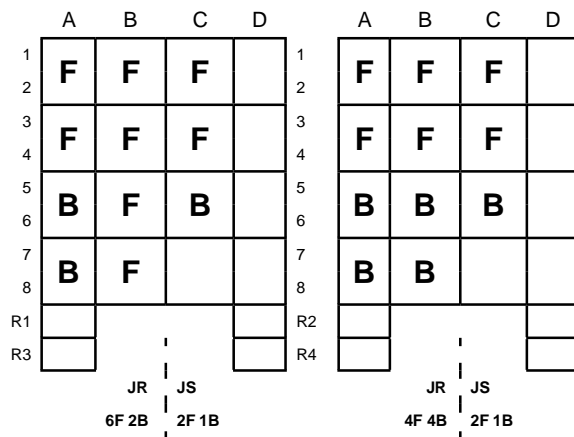
B18524/4 Variant

Description

The unit incorporates a thermal timing unit and a neutral relay which eliminates the need for a separate J.R. (final time out relay).

An adjustable time delay is provided with a range from 30 seconds to 120 seconds. In addition both relays are slugged to give slow operation and immunity to short supply interruptions.

Contact layout viewed from rear



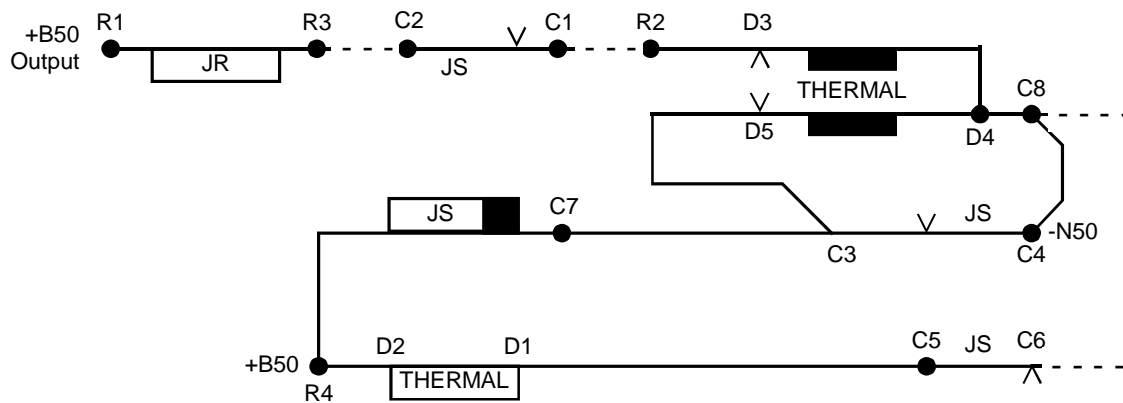
Packaging

Q-Relays are packed in a carton holding ten relays; the same container is used for quantities of four to nine relays. Quantities less than four are packed individually in cardboard boxes, as are all train-carried relays. Each container has a bar-coded label affixed to the outside, stating details of the packaged relay(s) and the quantity therein.

EMC Compliance

Q-Relays comply with the relevant emission requirements of EN 55014. It is considered that these relays have inherent immunity to in-service electro-magnetic disturbance. A Technical Certificate for EU Directive on EMC (89/336/EEC) has been obtained.

Relay Circuit



NOTES: Supply connections: B50 to R4 and N50 to C4.

Dotted lines represent external links required on the plugboard.



Technical data

SIEMENS Part No. (PAD No.)	CONTACT ARRANGEMENT	RATED VOLTAGE (V dc)	PIN CODE	COIL RES (OHMS)	WDG SPEC 1/108/-	MAX FULL OP. (V dc)	MIN REL (V dc)	PLUGBOARD	REQD No. OF CONNECTORS J4137/3	REMARKS
B18525/1 (85/001910)	4F 4B	50	1053 LNCJK	1150 1150	133 133	40	7.5	J4138/153	25	BRB SPEC. 962 30-120 Seconds
B18525/2 (85/001900)	6F 2B	50	1059 LDEFJ	1150 1150	133 133	40	7.5	J4138/154	25	BRB SPEC. 962 30-120 Seconds
B18525/3 (85/001890)	4F 4B	24	1052 LMNCH	280 280	148 148	19.2	3.6	J4138/155	25	BRB SPEC. 962 30-120 Seconds
B18525/4 (85/001880)	6F 2B	24	1054 MNCJK	280 280	148 148	19.2	3.6	J4138/156	25	BRB SPEC. 962 30-120 Seconds
B18525/5	4F 4B	12	XBEFH	LH 64 RH 60	100 98	9.6	1.8	J4138/273	25	30-120 Seconds



Un-drilled plugboard
Part No. E7218/1

Representation of Relay,
Plugboard and Retaining clip
(Clip Part No. J4136/1)

