



Siemens.com/mobility

## QIL1 Relay

A dc tractive armature, magnetically latched relay

### General data

Contact Arrangement:	7F 7B
Nominal Rated Voltage:	12 V dc
Approximate Weight:	1.29 kg

Note: Refer to the following data sheets:

- 7-1-1 for general information and contact ratings.
- 7-2-1 for dimensions.
- 8.2 for tools.
- 8.3 for plugboard and connector details.

Refer overleaf for specific data.



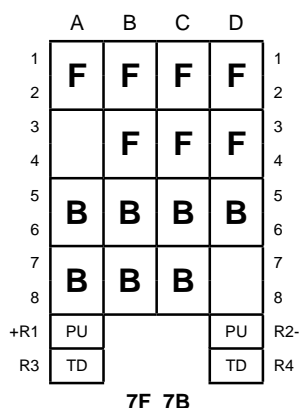
Typical Single Coil Relay

### Description

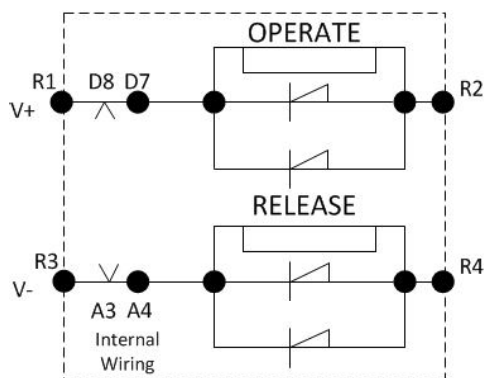
Designed for use where a self latching relay with a separate release winding is required.

The relay is held in full operate condition by a permanent magnet, releasing only when the release coil is energised. A high back-stop pressure ensures that the armature will not move and latch up accidentally due to vibration. The unit is intrinsically safe, certified to I.S. 1878 and Class 1 BS 1259:58.

## Contact layout viewed from rear



## Internal Wiring



## Technical data

SIEMENS Part No. (PAD No.)	CONTACT ARRANGEMENT	RATED VOLTAGE (V dc)	PIN CODE	COIL RES (OHMS)	WDG SPEC 1/108/-	MAX FULL OP. (V dc)	THROW DOWN (V dc)	PLUGBOARD	RECD No. OF CONNECTORS J4137/3	REMARKS
B18509/10	7F 7B SIL-SIL	12	BDEHX	PU. 45 TH DN 90	110	8.0	7.5 MIN 9.6 MAX	J4138/260	32	ORIGINALLY A SPECIAL FOR MINING

## EMC Compliance

Q-Relays comply with the relevant emission requirements of EN 55014. It is considered that these relays have inherent immunity to in-service electro-magnetic disturbance.

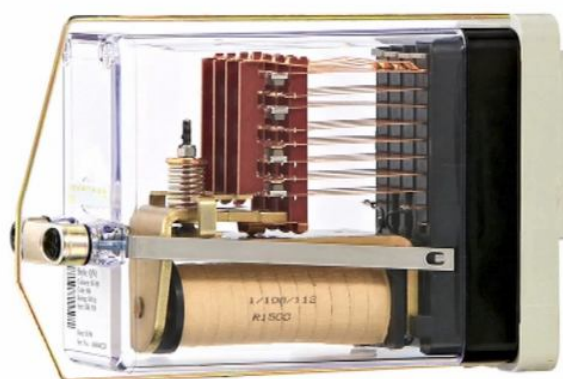
A Technical Certificate for EU Directive on EMC (89/336/EEC) has been obtained.

## Packaging

Q-Relays are packed in a carton holding ten relays; the same container is used for quantities of four to nine relays. Quantities less than four are packed individually in cardboard boxes, as are all train-carried relays. Each container has a bar-coded label affixed to the outside, stating details of the packaged relay(s) and the quantity therein.



Un-drilled plugboard  
Part No. E7218/1



Representation of Relay,  
Plugboard and Retaining clip  
(Clip Part No. J4136/1)

Siemens Ltd  
Infrastructure & Cities Sector  
Mobility and Logistics Division  
Rail Automation  
PO Box 79  
Pew Hill  
Chippenham  
Wiltshire SN15 1JD  
UK  
[www.siemens.com/rail-automation](http://www.siemens.com/rail-automation)

Printed in the United Kingdom

Data Sheet 7-2-30

X342/55/000049 Revision 04

# SIEMENS

The information within this document contains general descriptions of the technical options available, which do not always have to be present in individual cases. The required features should therefore be specified in each individual case at the time of closing the contract.